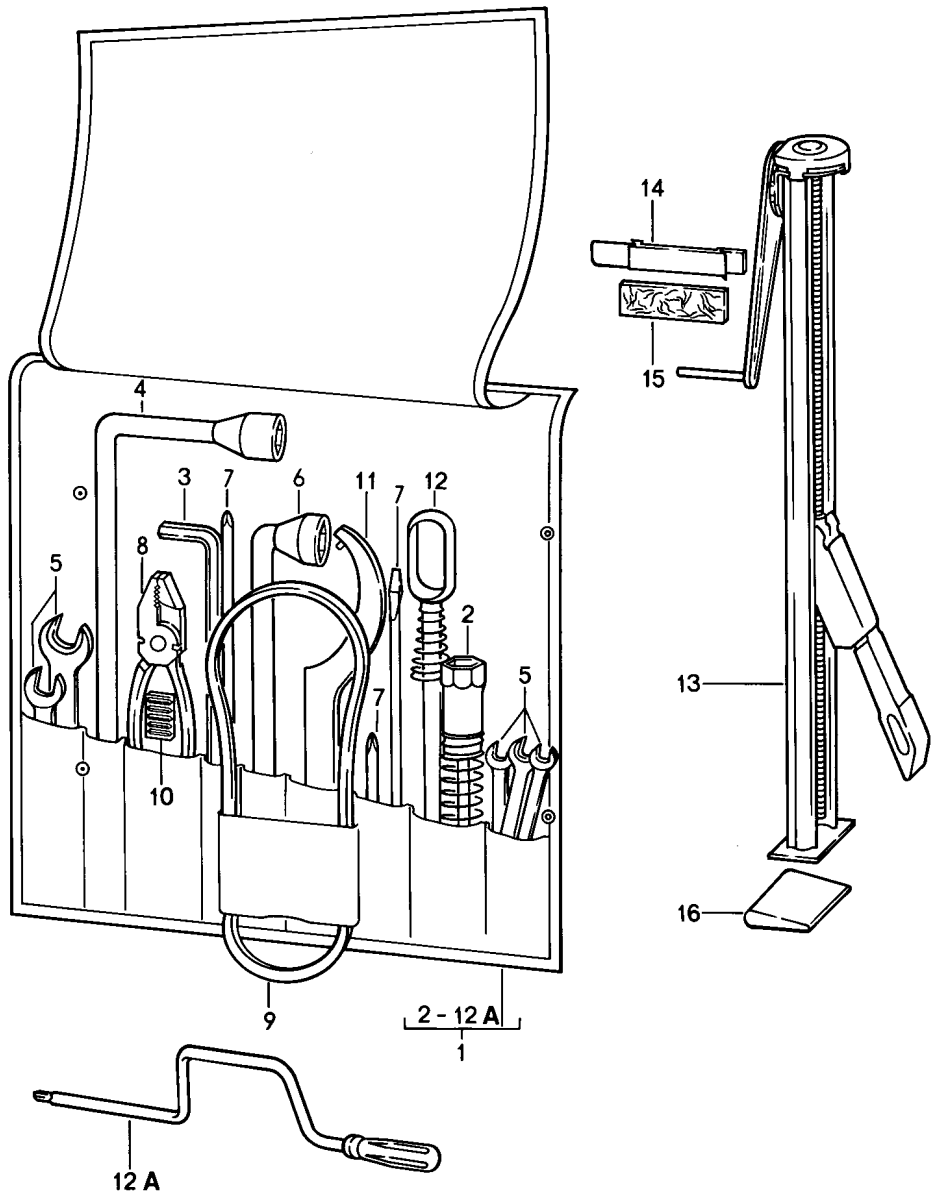


Model: 911 87

Model life 1987>>1989



Model: 911 87

Model life 1987&gt;&gt;1989

Pos	Part Number	Description	Remark	Qty	Model
1	911 721 002 12	Tool Jack		1	
-	911 721 002 14	Tool bag	87	1	
		Tool with contents	88-	1	
		Comprising: Tool bag without		1	
		Towing lug 99672115100		1	
2	477 012 203 A	Spark plug wrench		1	
3	477 012 227	Angular screw driver		1	
4	999 571 045 02	Rim wrench SW 19		1	
5	999 195 011 02	Double-end spanner 8 X 9		1	
5	999 195 012 02	Double-end spanner 10 X 11		1	
5	999 195 013 02	Double-end spanner 12 X 13		1	
5	999 195 014 02	Double-end spanner 14 X 15		1	
5	999 195 015 02	Double-end spanner 17 X 19		1	
6	999 571 046 02	Tool SW 24		1	
7	911 721 107 02	Screwdriver Set		1	
8	999 107 005 02	Tool		1	
9	999 192 176 50	Narrow v-belt 9,5 X 710		1	
9	999 192 176 5A	Narrow v-belt 9,5 X 710		1	
9	999 192 313 5A	Narrow v-belt 9,5 X 695		1	
10	911 721 013 00	Bag with Safety fuse		1	
11	999 571 047 02	Tool Pulley		5	
12	996 721 151 00	Towing lug		1	
12A	928 521 907 02	Crank for emergency control	88-	1	
-	911 721 237 00	Front seat Intermediate piece for emergency control		1	
-	999 571 043 02	Power windows Double socket wrench 10 X 13		1	
-	911 721 231 00	Angular screw driver 6 MM for Pan-head screw	88-	1	
-	911 721 235 00	Carrier plate for battery Extension rod		1	
13	911 721 011 04	Jack		1	
14	911 722 021 01	Bracket for Jack		1	
15	911 556 208 02	Felt strip		1	
16	911 721 131 00	Clamping piece		1	
16	911 721 131 01	Clamping piece without		1	